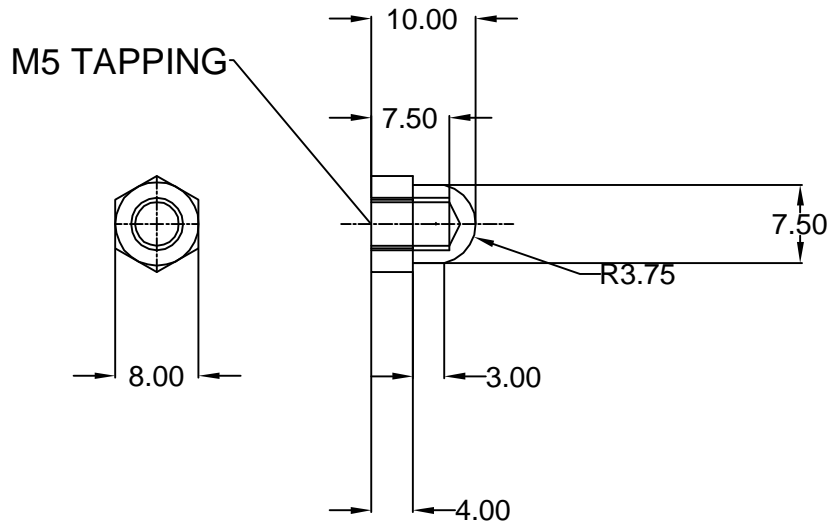


M5 DOME NUT



<b><i>ANAND</i> Enterprises</b>		<b>TOLERANCE UNLESS OTHERWISE STATED</b>		$\pm 0.2$
				ANGLE $\pm 0'10''$
HEAT TREATMENT      NA				UNIT <b>MM</b>
MATERIAL                      30%GF NYLON 6 BLACK		DATE 4.4.2019		QTY. NA
TITLE <b>DOMENUT M5</b>		DRG.NO.              0141		
		SCALE 1:1		SHEET 1 OF 1